

# T-Frame for VXS

## 8-Slot VXS (VITA 41) Test and Development System

### Description

The T-Frame™ for VXS provides the high-speed switched serial performance of VITA 41 in a versatile 8-slot benchtop system. The open-access, hybrid design includes four VXS payload slots, two VXS switch slots and two conventional VME64x slots, making it an ideal for developers migrating from traditional VME64x systems to the latest in VXS technology. T-Frame for VXS includes a host of other unique features, making it the perfect platform for board level and software development, manufacturing and test.

T-Frame's patented open-frame design provides unrestricted access to installed boards, eliminating the need for performance robbing extender cards. The 8-slot VXS (VITA 41) backplane supports data rates well beyond 3.125Gb/s per link. As a dual-star design, it can be operated with one or two switch boards, allowing test of both link ports on payload cards. The T-Frame™ includes comprehensive monitoring of all backplane voltages, current and exhaust air temperature. The front panel interface displays these monitor outputs and includes temperature, fan speed, and voltage control, including +5 and +3.3 volt margining. Two power options are available including single or dual 400 watt plugging power supplies, allowing hot swap power simulation, N+1, or 700 watt operation. Power supplies may be installed in either the front or rear cardcage, further improving accessibility. High pressure cooling supports up to 100W per slot and provides separate cooling for boards and power supplies. Fans are also adjustable to full or half speed to reduce unwanted noise. The T-Frame is easily portable yet rugged, with rigid steel cardcages to eliminate the flex. The rear I/O cardcage is adjustable for a wide range of board depths. Other conveniences include a tilt base, removable side access covers, recessed carrying handles, and internal 3.5" peripheral bay.

T-Frame™ for VXS support high-speed design by solving the problems of accessibility, measurement and control during development, thereby reducing design cycles and time to market.

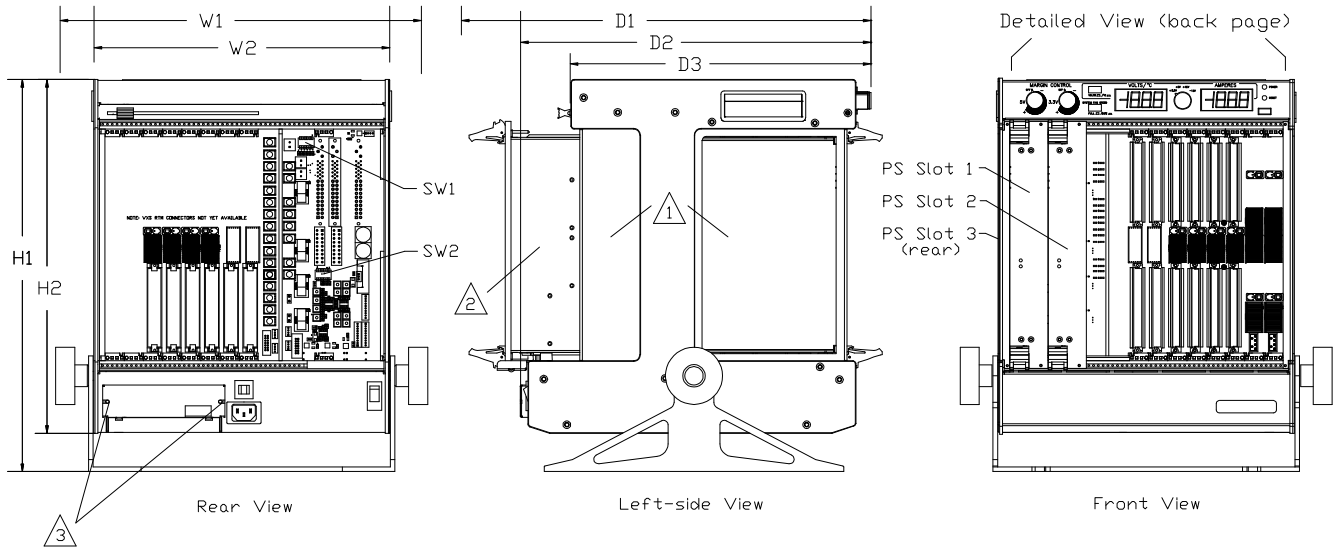


T-Frame™ US Patent 5,416,427

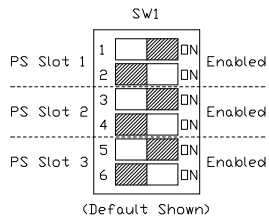
### Features

- Patented open-frame design eliminates extender boards
- Hybrid backplane supports VXS and VME64x boards
- High-speed backplane >3.125 Gb/s per link
- Dual-switches allow testing of both link ports
- Voltage, current and temperature monitoring
- Margin control for +5 and +3.3 volt outputs
- High pressure cooling supports up to 100W per slot
- 400 watt, N+1, or 700 watt operation
- Plugging power supplies with PFC and hot-swap
- IEEE 1101.10/11 compliant steel subracks eliminate flex
- Adjustable rear cardcage for 60, 80, and 100mm boards

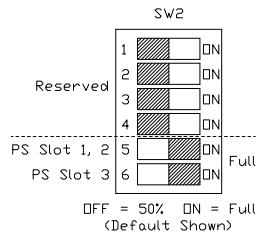




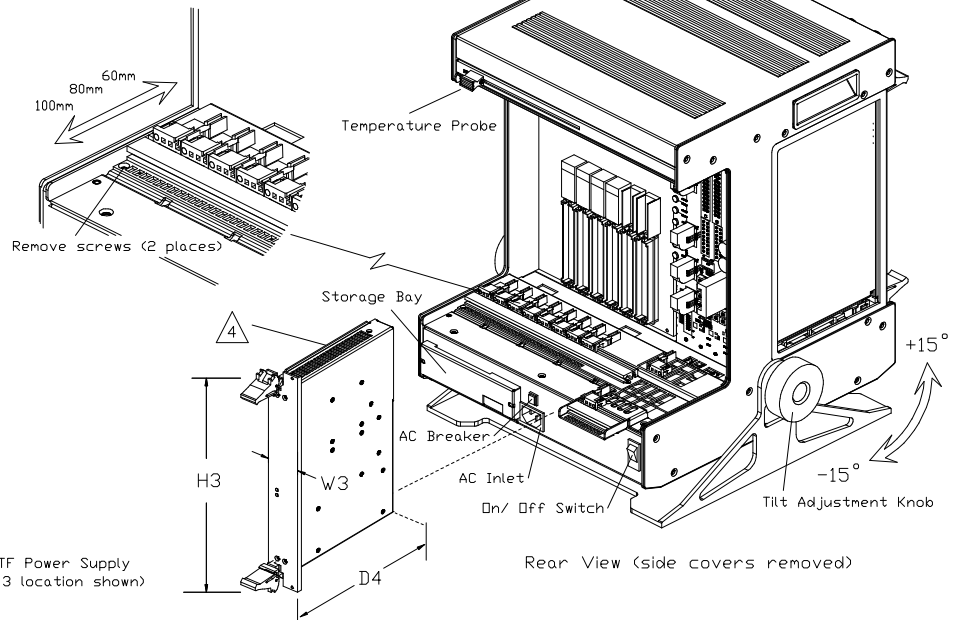
### POWER SUPPLY CONFIGURATION



### POWER SUPPLY FAN SPEED



### REAR SUBRACK ADJUSTMENT



### Dimensions:

D1: 17.10" (435 mm)	W1: 15.08" (383 mm)	H1: 16.37" (416 mm)
D2: 14.62" (371 mm)	W2: 12.34" (313 mm)	H2: 14.77" (375 mm)
D3: 12.55" (319 mm)	W3: 1.60" (41 mm)	H3: 10.31" (262 mm)
D4: 6.77" (172 mm)		

### Notes

- ⚠ Removable side covers installed (4 places)
- ⚠ Power supply shown in PS Slot 3 position
- ⚠ Storage bay removes with 2 screws
- ⚠ CAUTION!! Supplies carry hazardous voltage

