

T-Frame for VME64x

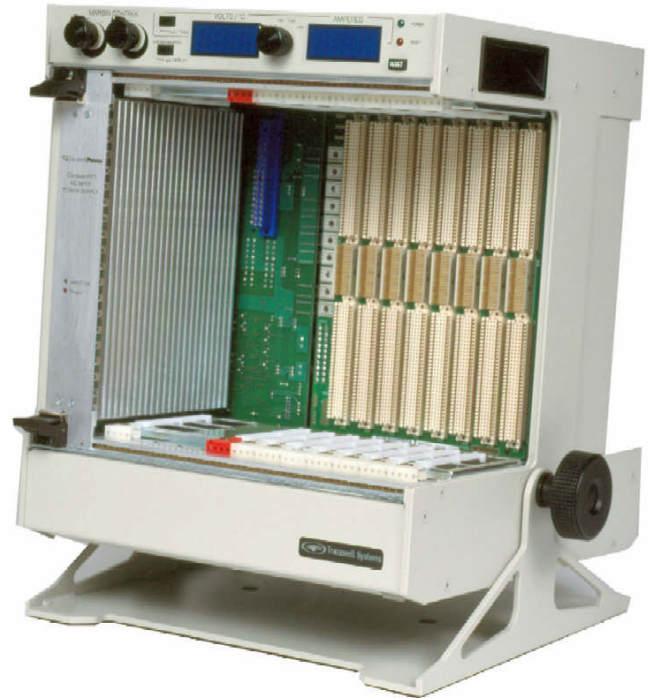
8-Slot VME64x Test and Development System

Description

Tracewell Systems offers the ideal test and development platform for industrial, military, data and telecommunication real-time VME applications. T-Frame for VME64x is compatible with any VME board generation, VME32, 64, and 64-bit extension all in one chassis making it the perfect tool whether the requirement is a new VME64x development or an upgrade. Lightweight, rugged construction makes the T-Frame easy to use and move from job to job. The unique open-access platform and imbedded monitoring make it right for board, software and system-level development as well as production test and debug.

T-Frame's patented open-frame design eliminates the need for performance robbing extender cards by providing unrestricted access to installed boards. T-Frame includes comprehensive monitoring of all backplane voltages, current and exhaust air temperature. A front panel interface displays these monitor outputs and includes temperature, fan speed, and voltage control, including +5 and +3.3 volt margining. The 64-bit 8-slot backplane includes 133 pin P0 feed-thru connectors in all slots for extended I/O. Two power options include single or dual 400 watt plugging power supplies, allowing hot swap power simulation, N+1, or 700 watt operation. Power supplies may be installed in either the front or rear cardcage, further improving accessibility. Fans are adjustable for full or half speed and automatically turn off when not in use to reduce noise. The T-Frame's steel and aluminum construction make it rugged yet easily portable. Tracewell's rigid steel cardcage eliminates the flex common to conventional extruded rail designs and is fully IEEE 1101.10/11 compliant. The rear I/O cardcage is adjustable for a wide range of board depths. Other conveniences include a tilt base, removable side access covers, recessed carrying handles, and internal 3.5" peripheral bay.

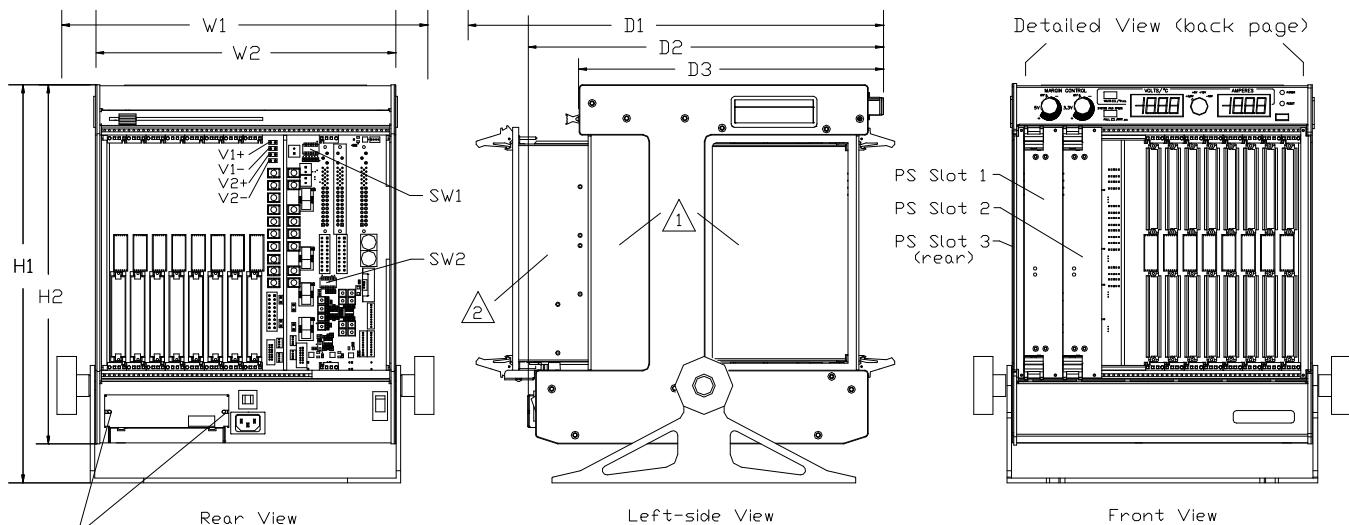
T-Frame for VME64x reduces design cycles by providing the user unmatched accessibility.



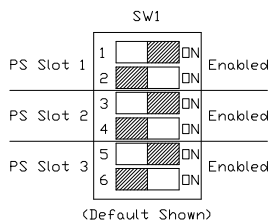
T-Frame™ US Patent 5,416,427

Features

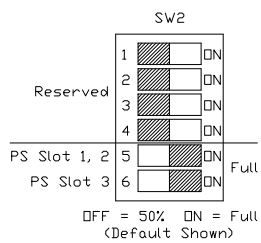
- Patented open-frame design eliminates extender boards
- Built-in voltage, current and temperature monitoring
- Easy front panel controls for margining +5 and +3.3 volts
- 160 pin J1/J2 and 133 pin 2mm J0 for additional I/O
- Dual-switches allow testing of both link ports
- 400 watt, N+1, or 700 watt operation
- Plugging power supplies with PFC and hot-swap
- IEEE 1101.10/11 compliant steel subracks eliminate flex
- Convenient tilt base and removable side panels
- Adjustable rear cardcage for 60, 80, and 100mm boards



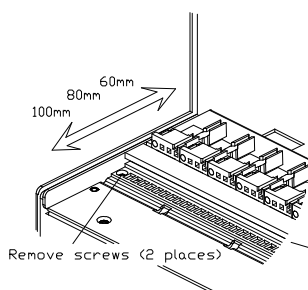
POWER SUPPLY CONFIGURATION



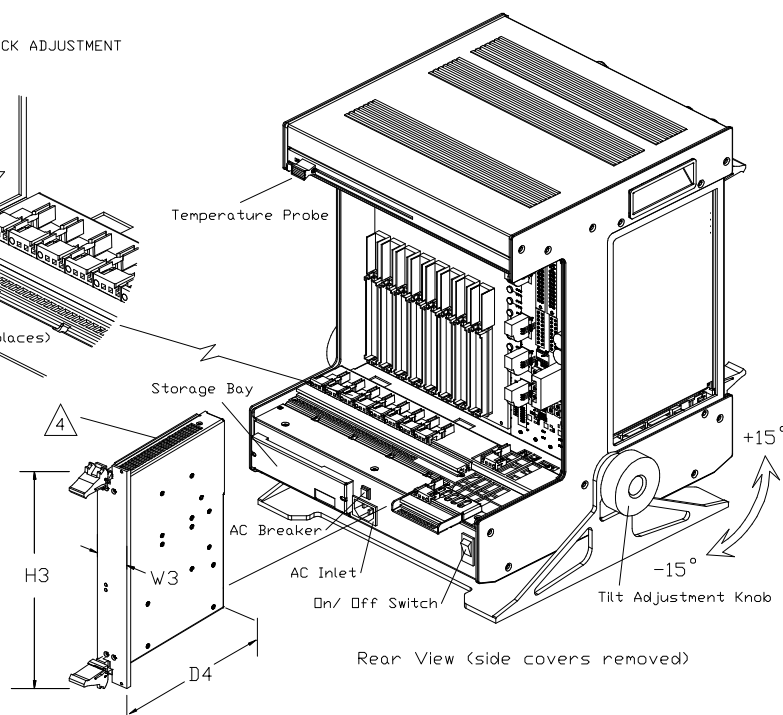
POWER SUPPLY FAN SPEED



REAR SUBRACK ADJUSTMENT



PC1350TF Power Supply
(PS Slot 3 location shown)

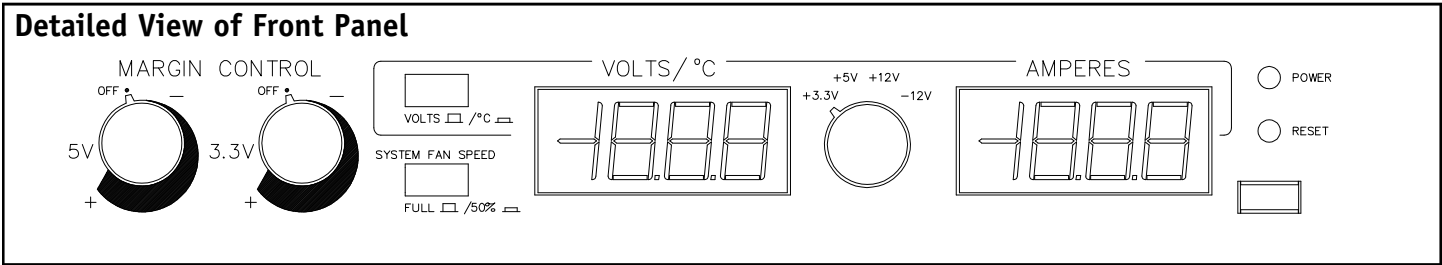


Dimensions:

D1: 17.10" (435 mm)	W1: 15.08" (383 mm)	H1: 16.37" (416 mm)
D2: 14.62" (371 mm)	W2: 12.34" (313 mm)	H2: 14.77" (375 mm)
D3: 12.55" (319 mm)	W3: 1.60" (41 mm)	H3: 10.31" (262 mm)
D4: 6.77" (172 mm)		

Notes

- ⚠ Removable side covers installed (4 places)
- ⚠ Power supply shown in PS Slot 3 position
- ⚠ Storage bay removes with 2 screws
- ⚠ CAUTION!! Supplies carry hazardous voltage



Ordering Information

The T-Frame™ for VME64x includes chassis, backplane, power supply, storage bay, monitoring, and is available in the following standard configurations:

Part Number:	Description:
580-6021-F00-00	T-Frame for VME64x, 6U, 8-SL, 1-350W (PS1)
580-6022-F00-00	T-Frame for VME64x, 6U, 8-SL, 2-350W (PS2)

Accessories:	
014-6001-001-0P	Shielded single-slot filler panel, 6U X 4T; installs in vacant slots
106-1001-099-01	Non-shielded single-slot filler panel, 6U X 4T; installs in vacant slots
110-1171-099-01	Subrack air block, single slot; snaps into a vacant slot to block airflow
2BPCI350AC02-A0	PCI350TF 350W 6U power supply

Notes:

- † This product is designed for operation only with Tracewell Power PCI350 power supplies. Operation is limited to a maximum of two supplies, totaling 700 watts.
- †† IMPORTANT: all fans must be operated in full speed setting for output power levels greater than 100 watts
- ††† As an option, Tracewell Systems can provide agency test and certification of the customer's specific integrated product. Consult factory for more details

request a quote at our web site:
www.tracewellsystems.com
 or call: 1.800.848.4525

© Copyright Tracewell Systems, Inc. 2006

Tracewell Systems, Inc. reserves the right to make changes without notice.
 All brand or product names may be trademarks or registered trademarks of their respective holders.
 Please consult Tracewell Systems for any special or custom requirements.

P/N 095-6017-000-0P_060522